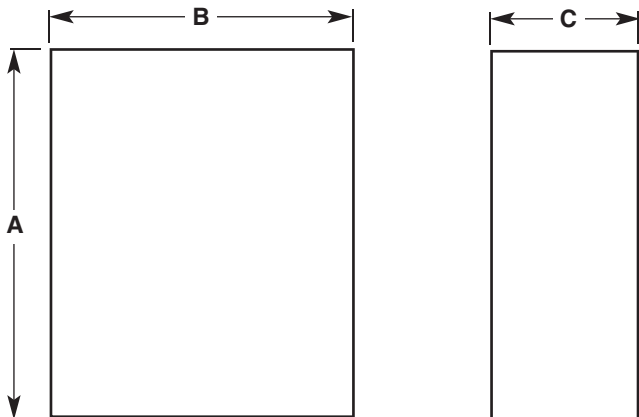


Safe Line Dimensions^{①②} 600V 16-1200A Amps

Dimensions for metal and stainless steel enclosures Type 1, 12, 4 and 4X



Non-fusible switches

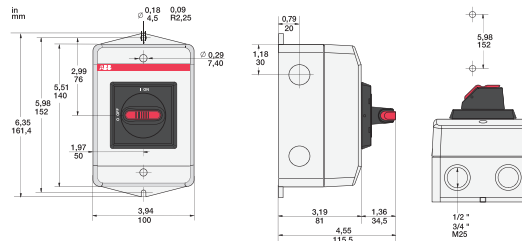
	A Height	B Width	C Depth
NF16, NF32,	6	5	4
NF30, NF45, NF60, NF63	10	5	4
NF100	16	6	4
NF200	24	14	8
NF400	36	24	10
NF600	36	24	10
NF800	48	24	12
NF1200	48	24	12

Fusible switches

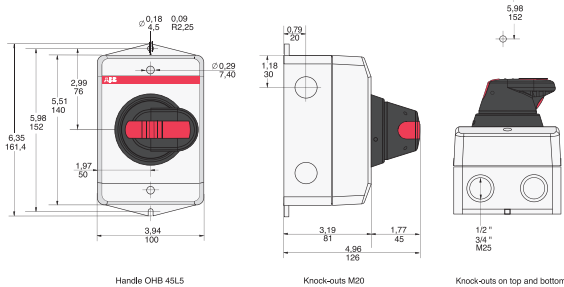
	A Height	B Width	C Depth
F30	10	8	6
F60	10	8	6
F100	16	10	6
F200	24	14	8
F400	36	24	10
F600	36	24	10
F800	48	24	12

Dimensions for eOT

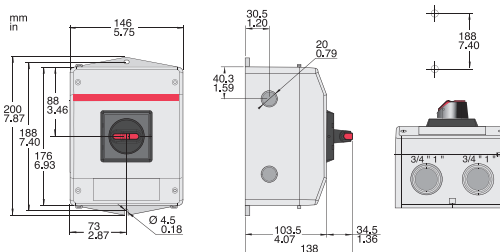
eOT16_S, eOT32_S (enclosure size 1)



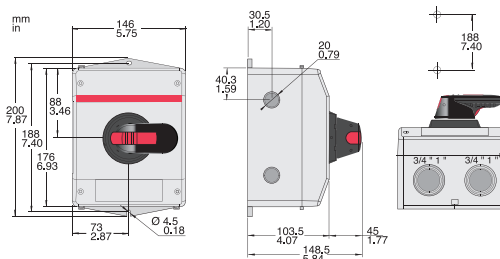
eOT16_P, eOT32_P (enclosure size 1)



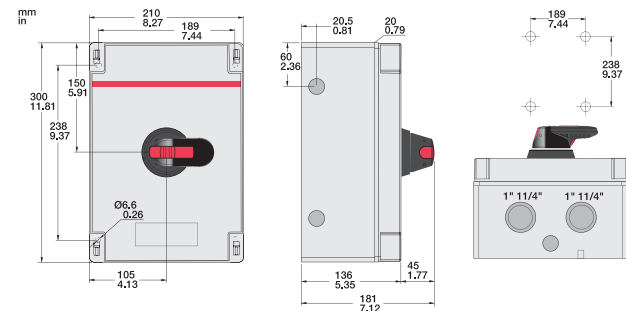
eOT45U_S (enclosure size 2)



eOT45U_P (enclosure size 2)

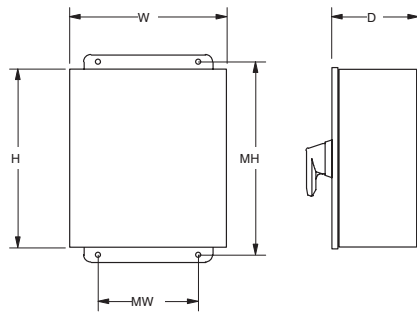


eOT63U_P



Approximate dimensions ①

16A – 200A Non-fused



3-pole switch

Switch size	Enclosure type	H Height	W Width	D Depth	MH Mtg. Height	MW Mtg. Height	Weight
NF16_ NF25_ NF32_	1	7	5	3	4.0	4.0	4
	3R, 4, 12				7.75	3.0	
NF45_ NF63_ NF30_ NF60_	1	8	6	4	7.0	5.0	6
	3R, 4, 12				8.75	4.0	
NF100	1	10	8	6	7.0	7.0	9
	3R, 4, 12				10.75	6.0	
NF125	1	14	12	8	11.0	9.0	20
	3R, 4, 12				14.75	10.0	
NF200	1, 3R, 4, 12	24	16	8	25.5	14.5	50

6-pole switch

Switch size	Enclosure type	Encl. Dwg.	H Height	W Width	D Depth	MH Mtg. Height	MW Mtg. Height	Weight
NF16 NF25 NF32	1	A	10	8	5	7.0	7.0	6
	3R					10.75	6.0	
	4, 12							
NF45 NF63	1	A	10	8	5	7	7	6
	3R					10.75	6	
	4, 12							
NF30 NF60 NF100	1	A	10	8	5	7	7	9
	3R					10.75	6	
	4, 12							
NF125	1	A	14	12	8	11	9	20
	3R					14.75	10	
	4, 12							
NF200	1	A	24	24	8	22.5	22.5	60
	3R							
	4, 12							

3-pole transfer switch

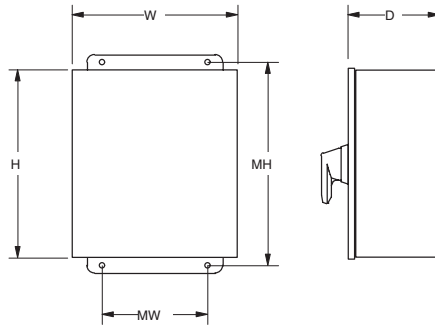
Switch size	Enclosure type	Encl. Dwg.	H Height	W Width	D Depth	MH Mtg. Height	MW Mtg. Height	Weight
NF16 NF25 NF32	1	A	10	8	5	7.0	7.0	6
	3R					10.75	6.0	
	4, 12							
NF45 NF63	1	A	14	12	8	14.75	10	20
	3R							23
	4, 12							
NF30 NF60 NF100	1	A	16	16	6	14.5	14.5	19
	3R		14	12	8	12	10.25	17
	4		16			14.5	10.5	16
	12		14			14.75	10	23
NF125	1	A	14	12	8	11	9	20
	3R					14.75	10	
	4, 12							
NF200	1	A	24	24	8	22.5	22.5	60
	3R							
	4, 12							

3-pole by-pass switch

Switch size	Enclosure type	Encl. Dwg.	H Height	W Width	D Depth	MH Mtg. Height	MW Mtg. Height	Weight
NF16 NF25 NF32	1	A	14	12	8	14.8	10.0	20
	3R							
	4, 12							
NF45 NF63	1	A	14	12	8	14.8	10	20
	3R							
	4, 12							
NF30 NF60 NF100	1	A	14	12	8	14.8	10	20
	3R							
	4, 12							
NF200	1	A	36	30	8	34.5	28.5	77
	3R							
	4, 12							

① Dimensions subject to change; please consult factory for construction dimensions.

Approximate dimensions ① 30A – 200A Fused



3-pole switch

Switch size	Enclosure type	H Height	W Width	D Depth	MH Mtg. Height	MW Mtg. Height	Weight
30A	1	10	8	6	7.0	5	12
	3R				10.75	4	
	4						
	12						
60A	1	10	8	6	7	7	13
	3R				10.75	6	
	4						
	12						
100A	1	14	12	8	14.5	9	22
	3R				12	10	
	4						
	12						
200A	1	24	20	10	11	18.5	75
	3R				14.75		
	4						
	12						

3-pole transfer switch

Switch size	Enclosure type	Encl. Dwg.	H Height	W Width	D Depth	MH Mtg. Height	MW Mtg. Height	Weight
30A	1	A	14	12	8	11.0	9	24
	3R					14.75	10	
	4							
	12							
60A	1	A	20	20	8	21.5	18.5	55
	3R					21.5	18.5	
	4							
	12							
100A	1	A	20	20	8	21.5	18.5	57
	3R					21.5	18.5	
	4							
	12							
200A	1	A	36	30	12	37.5	28.5	160
	3R					37.5	28.5	
	4							
	12							

6-pole switch

Switch size	Enclosure type	Encl. Dwg.	H Height	W Width	D Depth	MH Mtg. Height	MW Mtg. Height	Weight
30A	1	A	14	12	8	11.0	9	24
	3R					14.75	10	
	4							
	12							
60A	1	A	20	20	8	21.5	18.5	55
	3R					21.5	18.5	
	4							
	12							
100A	1	A	20	20	8	21.5	18.5	57
	3R					21.5	18.5	
	4							
	12							
200A	1	A	36	30	12	37.5	28.5	160
	3R					37.5	28.5	
	4							
	12							

3-pole by-pass switch

Switch size	Enclosure type	Encl. Dwg.	H Height	W Width	D Depth	MH Mtg. Height	MW Mtg. Height	Weight
30A	1	A	20	20	8	21.5	18.5	60
	3R					21.5	18.5	
	4							
	12							
60A	1	A	24	24	8	25.5	22.5	73
	3R					25.5	22.5	
	4							
	12							
100A	1	A	36	30	12	37.5	28.5	135
	3R					37.5	28.5	
	4							
	12							
200A	1	A	48	36	12	49.5	34.5	240
	3R					49.5	34.5	
	4							
	12							

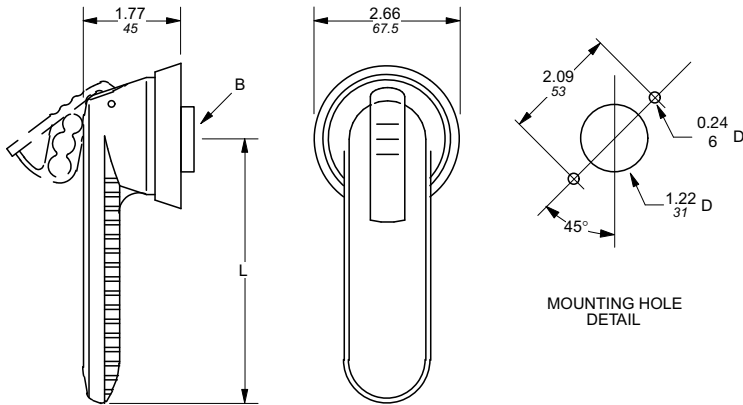
① Dimensions subject to change; please consult factory for construction dimensions.

Approximate dimensions for Handles

Disconnect
switches
Dimensions

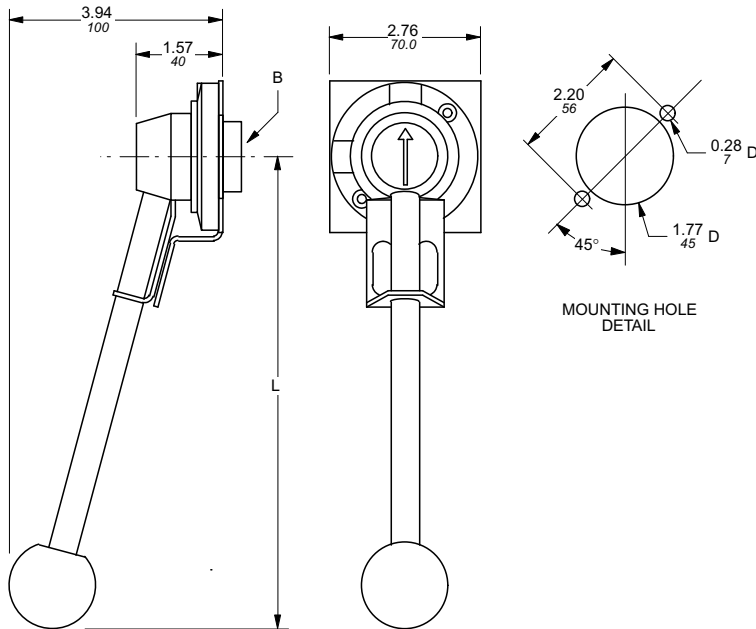
← 00.00 Inches
00.00 [Millimeters] →

Pistol handles

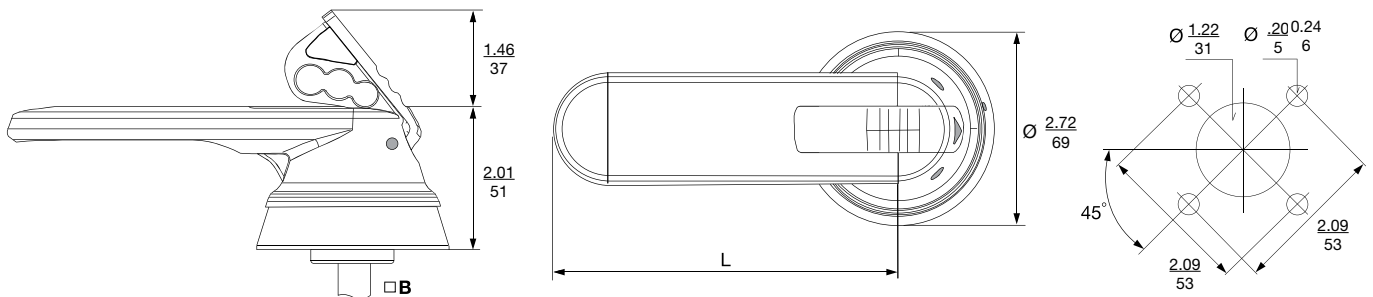


A Catalog number	L Inches/ mm	□B Shaft size Inches/ mm	NEMA / UL Type
OH_45J6	1.8/45	0.24/6	1, 3R, 12
OH_65J6	2.6/65	0.24/6	1, 3R, 12
OH_80J6	3.1/80	0.24/6	1, 3R, 12
OH_125J12	4.9/125	0.47/12	1, 3R, 12
OH_145J12	5.7/145	0.47/12	1, 3R, 12
OH_175J12	6.9/175	0.47/12	1, 3R, 12
OH_80L6	3.1/80	0.24/6	1, 3R, 4, 4X, 12
OH_145L12	5.7/145	0.47/12	1, 3R, 4, 4X, 12
OH_175L12	6.9/175	0.47/12	1, 3R, 4, 4X, 12

□ = Handle color, B (Black) or Y (Red/Yellow)



A catalog number	L inches/mm	□B Shaft size inches/mm	NEMA Type
YASDA-7	8.66/220	0.47/12	1, 3R, 4, 4X, 12
YASDA-8	8.66/220	0.47/12	1, 3R, 4, 4X, 12
YASDA-21	8.66/220	0.47/12	1, 3R, 4, 4X, 12
YASDA-6	12.60/320	0.47/12	1, 3R, 4, 4X, 12



Handle type	OHM65L6	OHM125L12	OHM175L12	OHM275L12
L	2.6/65	4.9/125	6.9/175	10.8/225
□B	.24/6	.47/12	.47/12	.47/12